

### Features

- Innovative roller design simplifies installation and provides out-of-plumb adjustability while glass is installed
- Cushioned center guide provides smooth, quiet sliding action
- Gently curved towel bars, inside and outside, provide integrated storage on the door
- CleanCoat™+ glass coating creates a hydrophobic barrier that repels water, soap scum, and residue, saving time and protecting shower doors 10 times longer than original CleanCoat. (Based on 2021 internal wear/abrasion testing using a microfiber cloth.)
- Tempered glass ensures enhanced safety and durability

### Material

- Frameless, 1/4" (6 mm) thick Crystal Clear tempered glass

### Installation

- Sliding bath door
- Not for use in hospitality

### Included Components

Additional Components:

Hardware kit



### Codes/Standards

CPSC 16CFR 1201

ANSI Z97.1

### KOHLER® One-Year Limited Warranty

See website for detailed warranty information.

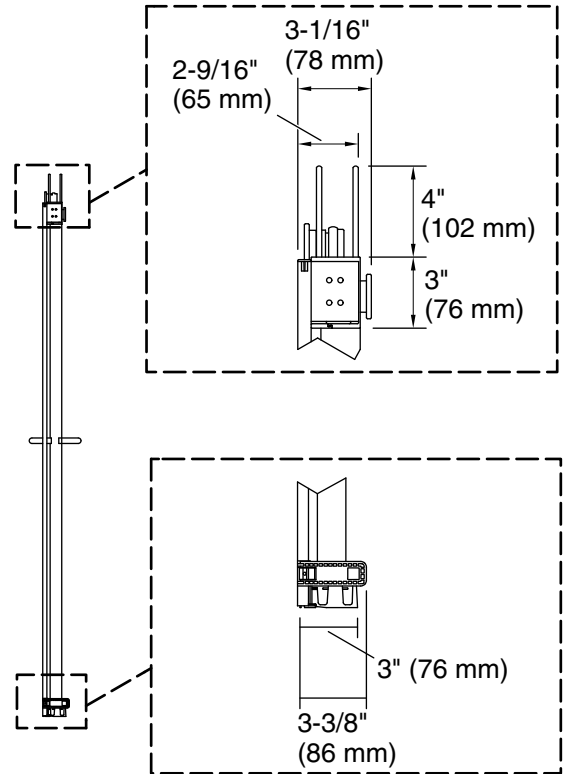
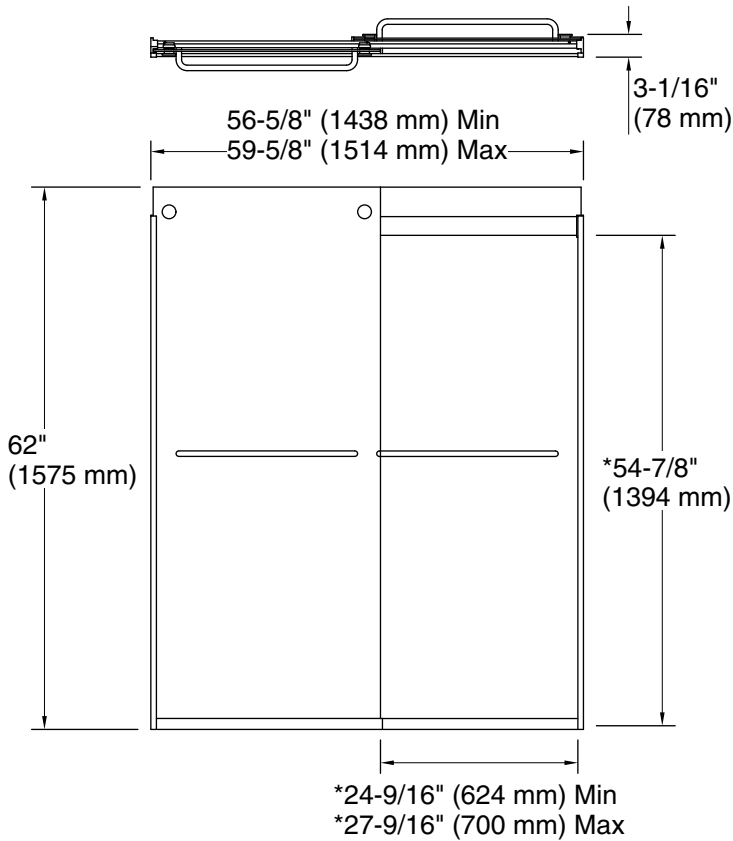
### Available Colors/Finishes

*Color tiles intended for reference only.*

Color	Code	Description
	SH	Bright Silver
	MX	Matte Nickel
	ABV	Anodized Brushed Bronze
	2MB	Vibrant™ Brushed Moderne Brass
	ABZ	Anodized Dark Bronze
	BL	Matte Black

### Available Glass Options

Code	Description
L	Crystal Clear



\*Walk-through

### Technical Information

All product dimensions are nominal.

Installation type: For bath installation

Base-To-Wall 1/2" (13 mm)

Radius – Max:

Glass coating: CleanCoat™

### Notes

Install this product according to the installation guide.

If replacing a shower door, the narrow wall jamb design of this door may not cover the existing shower door holes.

The vertical opening should be a minimum of 64-1/2" (1638 mm) to allow for installation clearance.